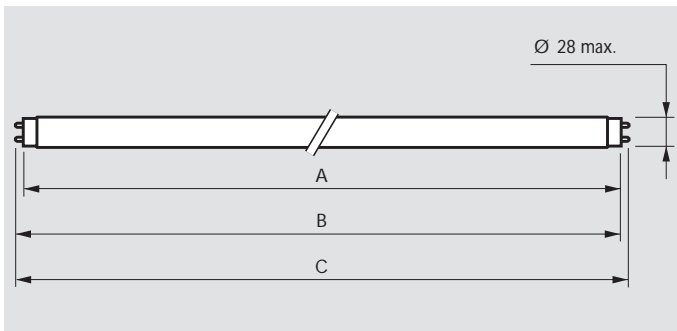


The TL-D Aperture lamps are colour /80 lamps with all the benefits of the modern triphosphor lamps, such as high efficacy, good colour rendering, high maintenance and long lifetime. These lamps have an aperture of 30 degrees, providing a very high luminance at the aperture which is ideally suited for edge lighting of signs. The aperture technology boosts the luminance in the aperture to levels 4 to 5 times higher than the luminance of a normal colour /80 TL-D lamp.

The 30 degree aperture lamps allow the design of slim, energy-efficient and evenly illuminated edge-lit sign. The TL-D 60W-95W Aperture lamp can be operated at normal or boosted output by selecting appropriate ballast. Boosted output for maximum light 'injection' e.g. for large advertising signs.

Application
- Edge-lit signs



Dimensions in mm

Type	A max.	B min.	B max.	C max.
TL-D 15W/865 FA30	437.4	442.1	444.5	451.6
TL-D 18W/865 FA30	589.8	594.5	596.9	604.0
TL-D 30W/865 FA30	894.6	899.3	901.7	908.8
TL-D 36W/865 FA30	1199.4	1204.1	1206.5	1213.6
TL-D 60W-95W/865 FA30	1500.0	1504.7	1507.1	1514.2

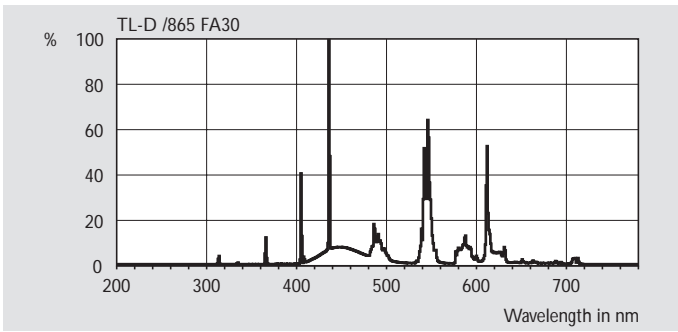


Commercial name	Lamp type	Ballast type	Cap/ base	Lamp voltage	Lamp power	Lamp current	Colour designation	Correlated colour temperature	Lumen output*	Aperture luminance	Nett weight	EOC
				V	W	A		K	lm	cd/cm ²		
TL-D Aperture	TL-D 15W /865 FA30	On request	G13	51	15	0.34	COOL DAYLIGHT	6500	850	4.8	76	642660
TL-D Aperture	TL-D 18W /865 FA30	On request	G13	59	18	0.36	COOL DAYLIGHT	6500	1200	4.5	100	639660
TL-D Aperture	TL-D 30W /865 FA30	On request	G13	98	30	0.36	COOL DAYLIGHT	6500	2100	5.5	145	639684
TL-D Aperture	TL-D 36W /865 FA30	On request	G13	103	36	0.44	COOL DAYLIGHT	6500	2900	5.0	186	639707
TL-D Aperture	TL-D 60W-95W /865 FA30	Conventional: 58W	G13	116	60	0.65	COOL DAYLIGHT	6500	4400	6.9	233	644343
TL-D Aperture	TL-D 60W-95W /865 FA30	HF: HF-P 170 TL-D	G13	112	53	0.48	COOL DAYLIGHT	6500	4300	6.9	233	-
TL-D Aperture	TL-D 60W-95W /865 FA30	Conventional: 100W	G13	89	84	1.16	COOL DAYLIGHT	6500	5300	8.5	233	-
TL-D Aperture	TL-D 60W-95W /865 FA30	GHF: HF-P 270 TL-D	G13	86	82	0.96	COOL DAYLIGHT	6500	5700	9.5	233	-

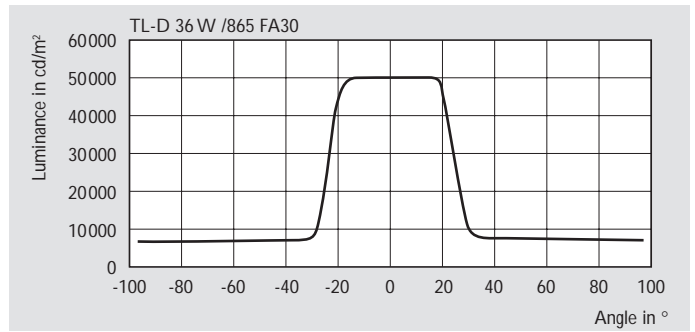
* Stable operation (uncooled)

Fluorescent lamps

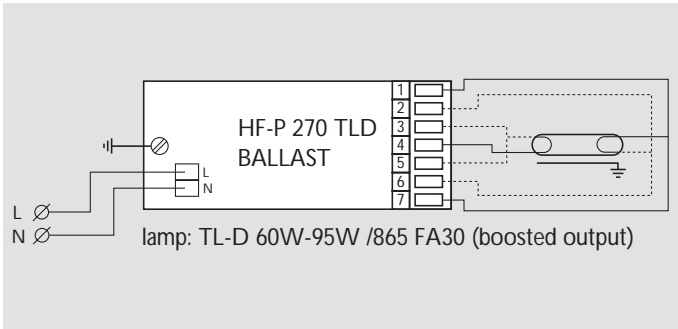
TL-D Aperture Super 80



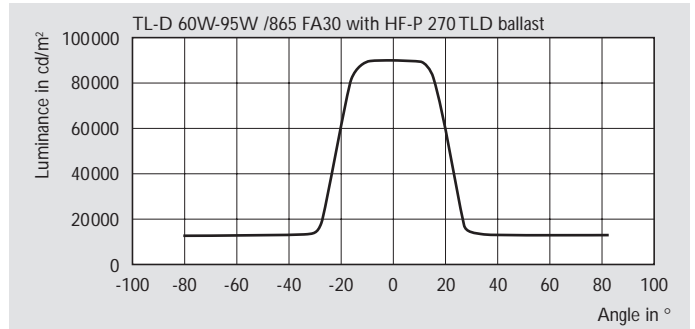
Spectral power distribution



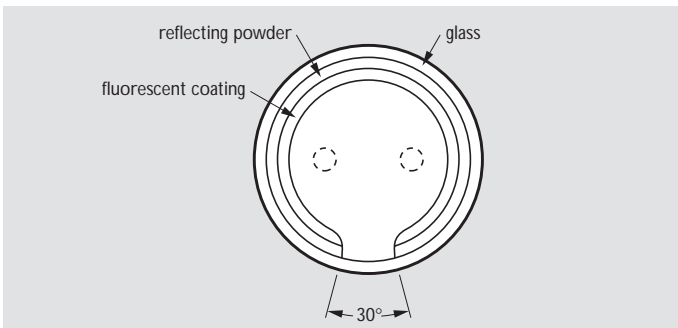
Luminance distribution



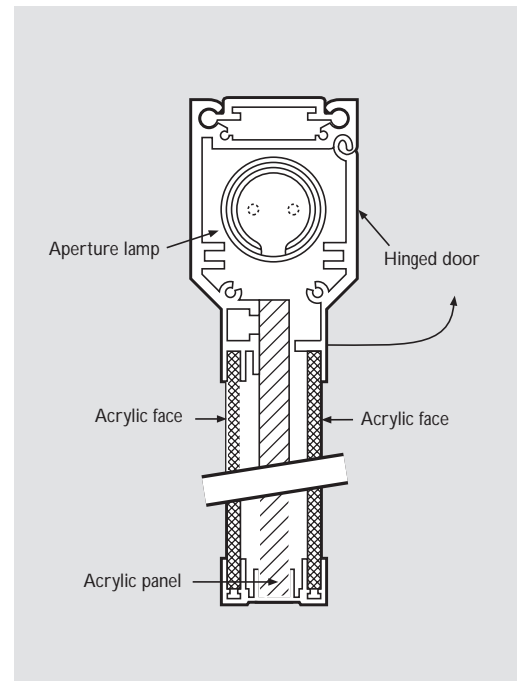
Wiring diagram



Luminance distribution



Cross-section for all versions



Edge-lit sign for all versions