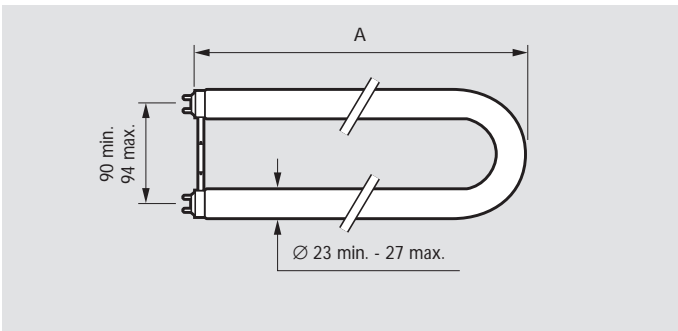


Fluorescent lighting is efficient and economical. The efficacy (lumen/watt) of all fluorescent lamps is high compared with most other light sources. TL-DU are low-pressure mercury discharge lamps with a clear, U-shaped tubular envelope. The tube wall is internally coated with a mixture of fluorescent powders. Special luminaires are available for use with these lamps because of their shape. The lamps are operated on conventional ballasts.

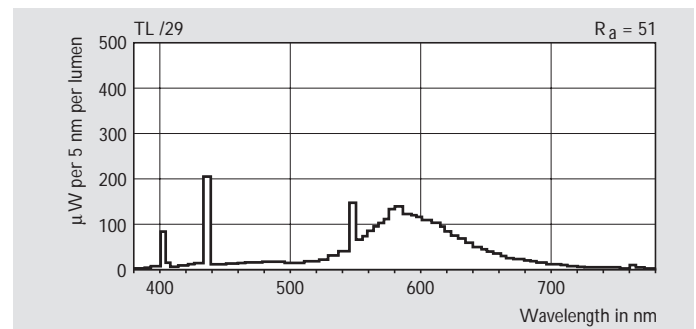
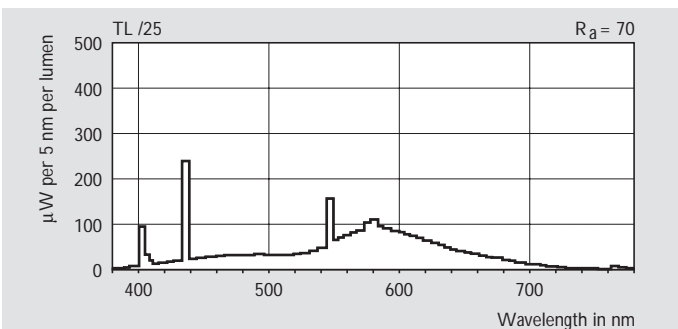
These lamps are often used for sign lighting and outdoor lighting in residential areas, for example in post-top lanterns. A special clip is provided to bridge the gap between the new 26 mm diameter U-lamp and lamp bracket designed for use with 38 mm diameter U-lamps.



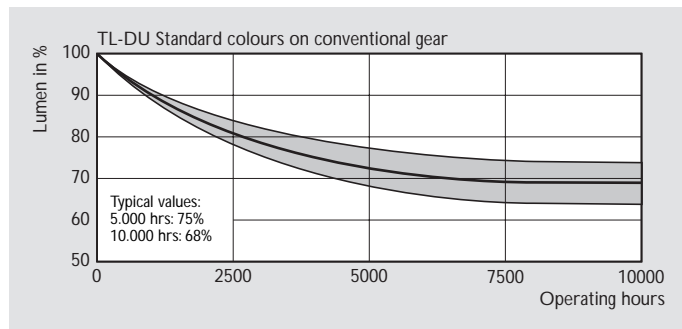
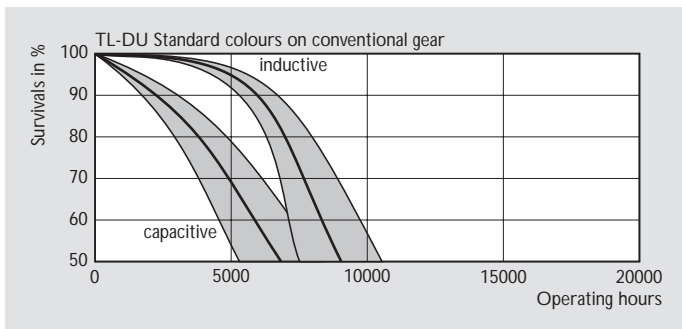
Dimensions in mm

Type	A min.	A max.
TL-DU 18W	300	310
TL-DU 36W	597	607
TL-DU 58W	749	759

Commercial name	Type	Cap/base	Lamp voltage	Lamp current	Colour designation	Correlated colour temperature K	Lumen output lm	Nett weight g	EOC
			V	A					
/25									
TL-DU	TL-DU 18W /25	2G13	60	0.37	COOL WHITE	4000	1000	150	642837
TL-DU	TL-DU 36W /25	2G13	110	0.43	COOL WHITE	4000	2400	290	642875
TL-DU	TL-DU 58W /25	2G13	116	0.67	COOL WHITE	4000	3650	365	642912
/29									
TL-DU	TL-DU 18W /29	2G13	60	0.37	WARM WHITE	2900	1050	150	642851
TL-DU	TL-DU 36W /29	2G13	110	0.43	WARM WHITE	2900	2600	290	642899
TL-DU	TL-DU 58W /29	2G13	116	0.67	WARM WHITE	2900	4100	365	642936

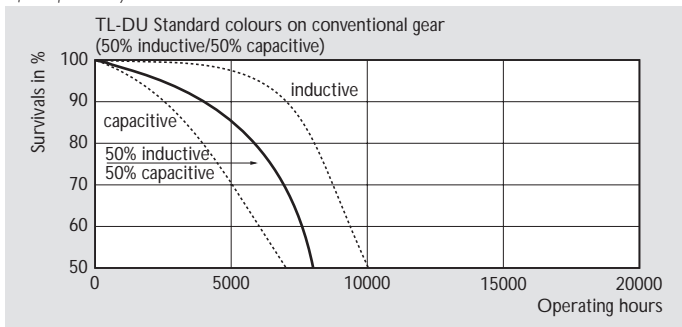


Spectral power distributions



Life expectancy

Lumen maintenance



Life expectancy

